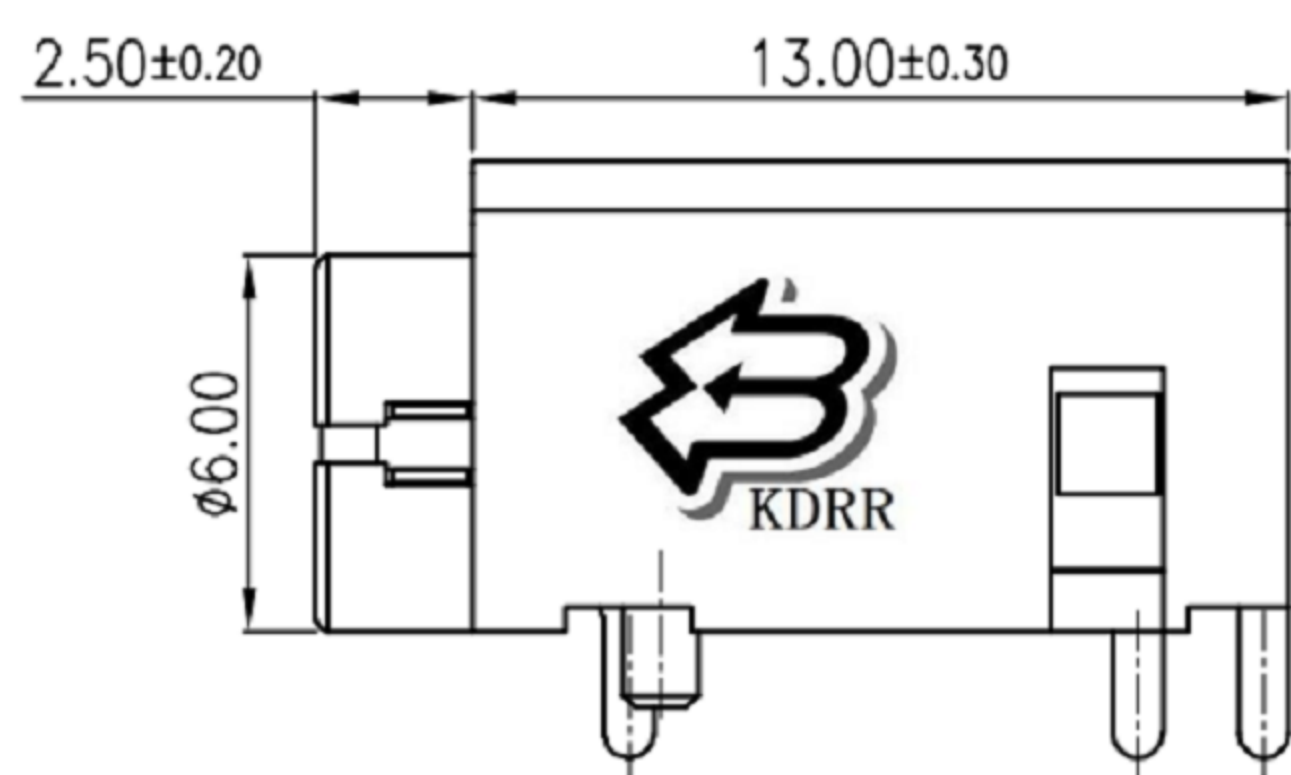
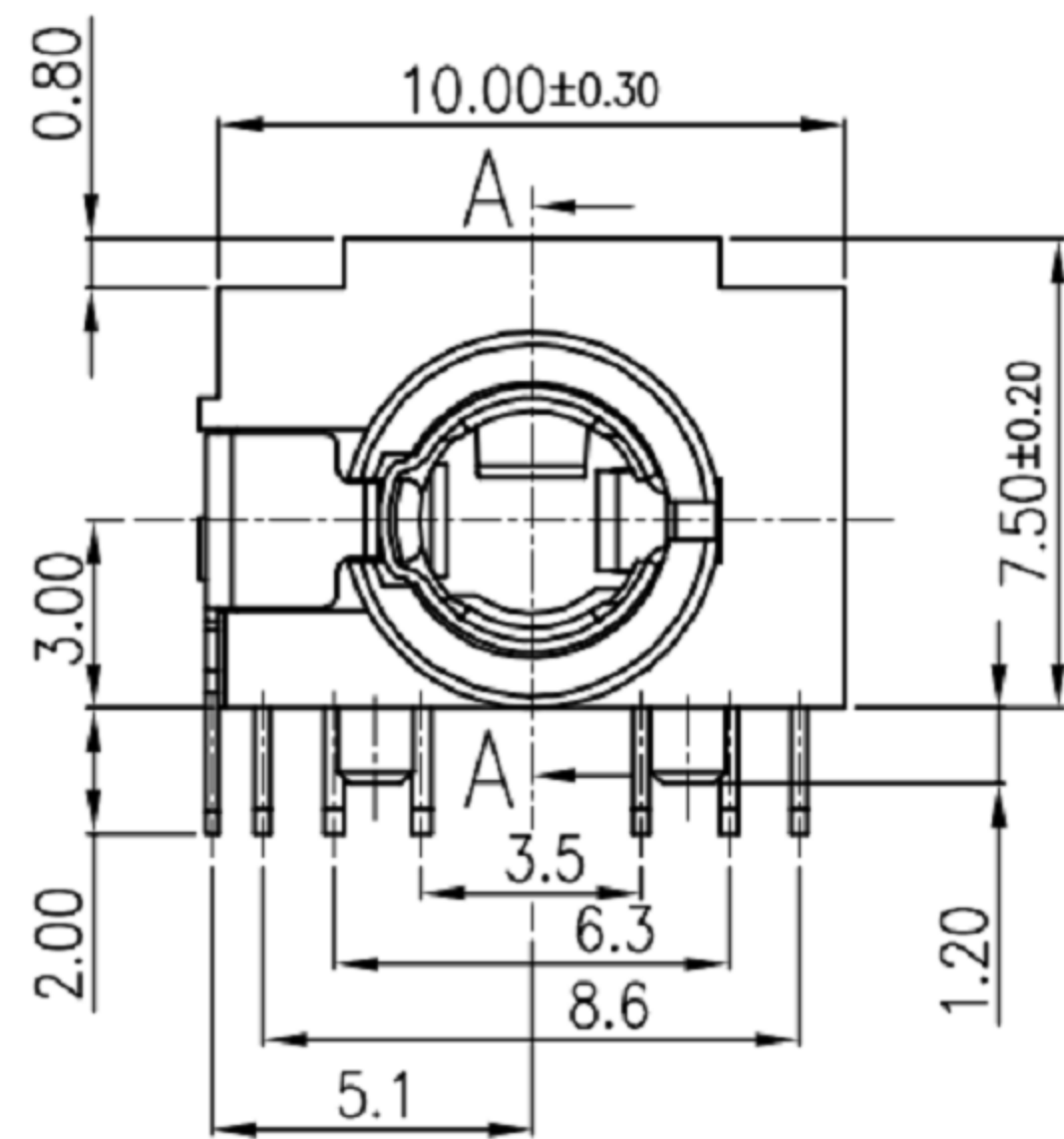
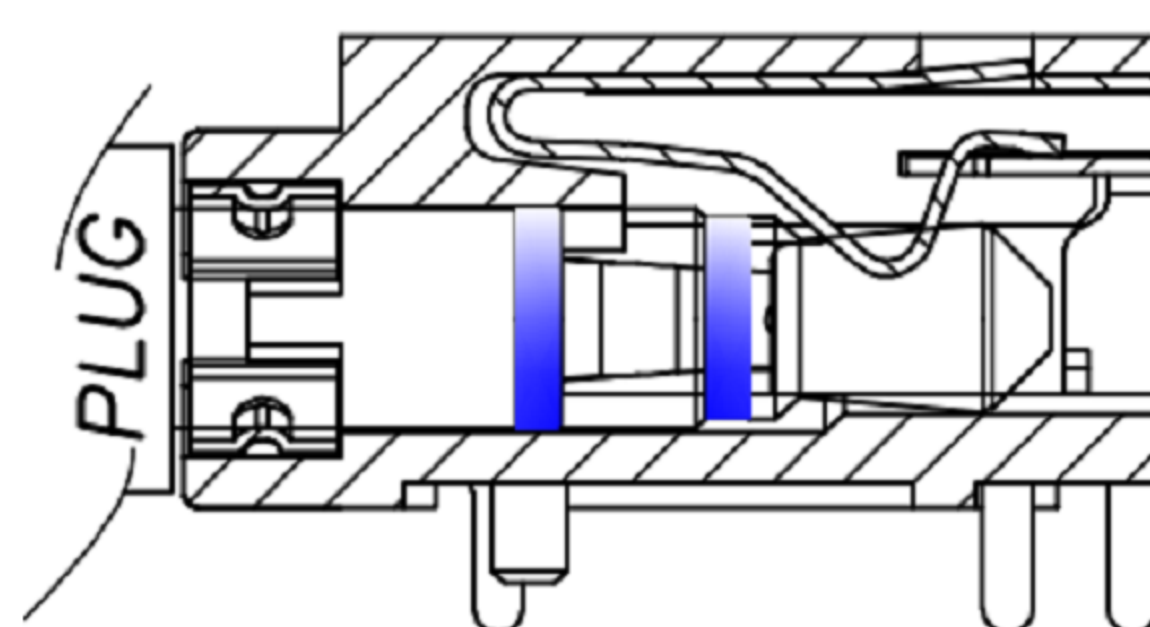


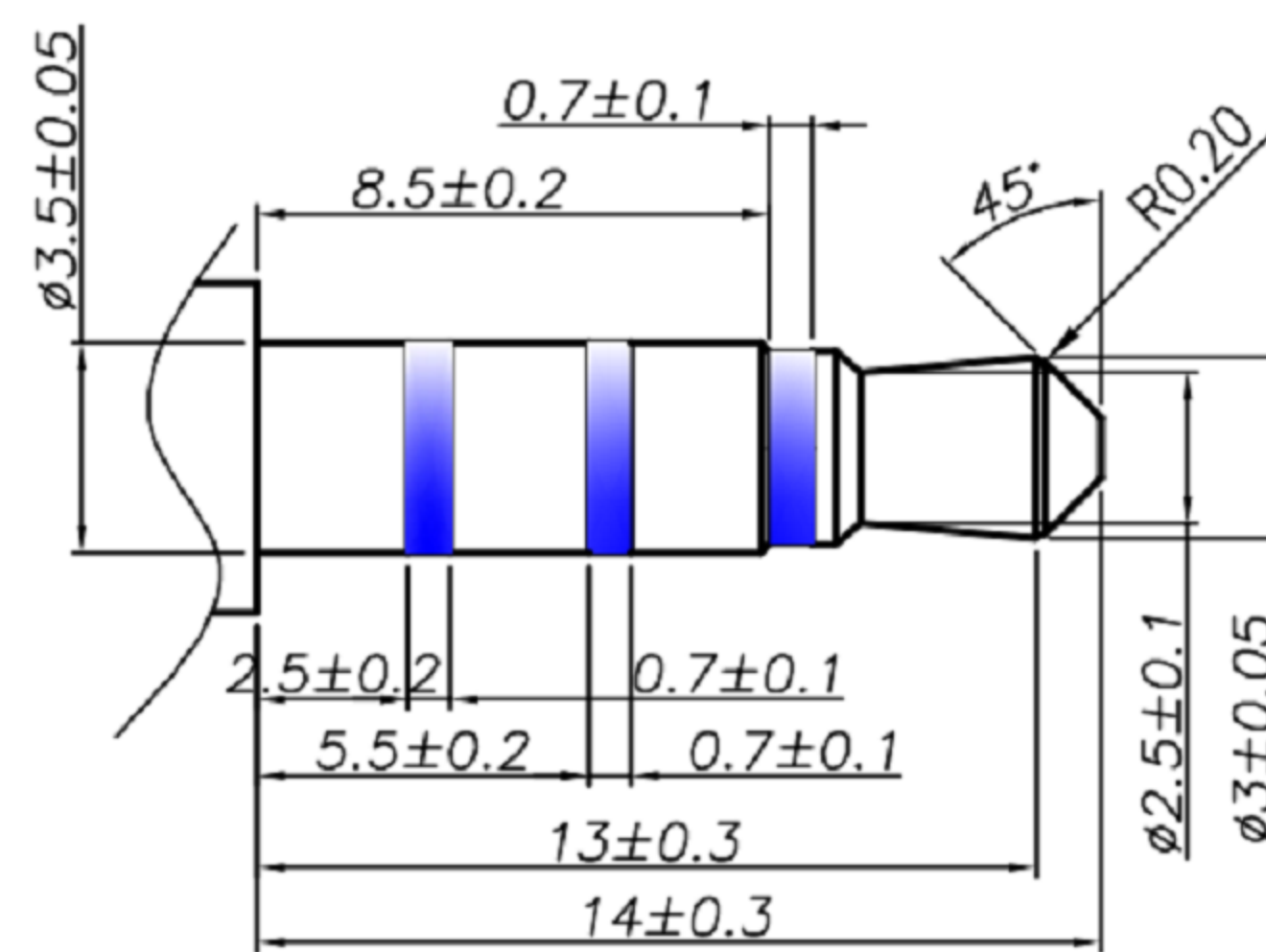
Ordering information:
 GD-PJS-3244B
 (1) (2) (3) (4) (5) (6) (7)
 (1): Series No.
 (2): Schematic option: R
 (3): Material of housing:
 9T=PA9T
 (4): Housing color:
 Zero—0A=Black 4F=YELLOW 5G=Green
 (5): Terminal plating:
 T=Tin plating
 (6): Special option:
 00=No special option
 (7): Packing mode:
 3=Plastic box packing



P.C.B LAYOUT
TOP VIEW

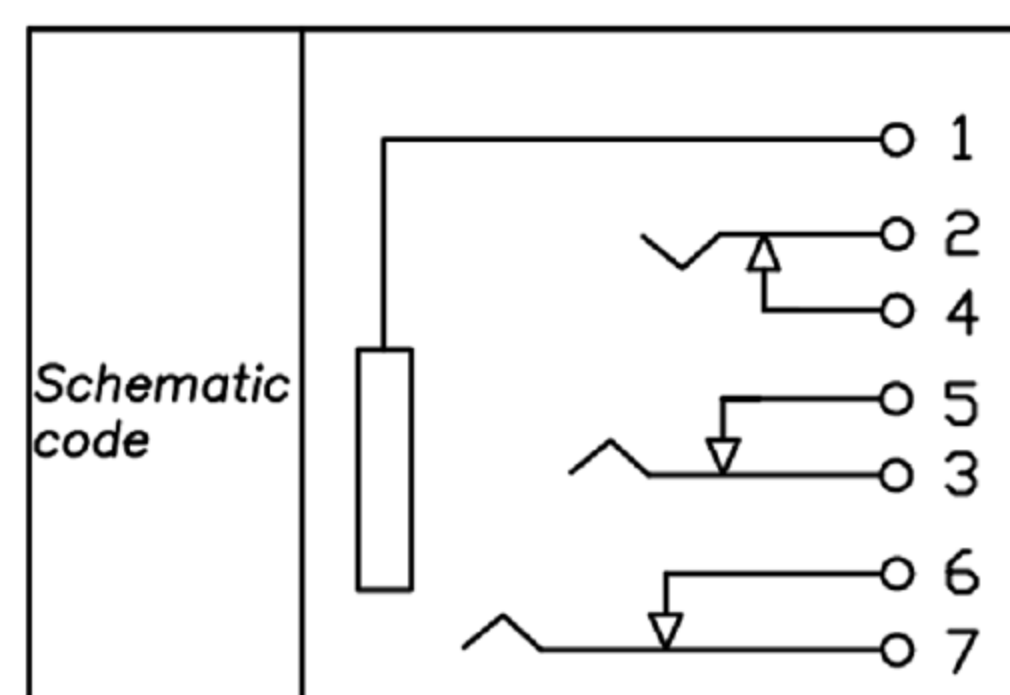
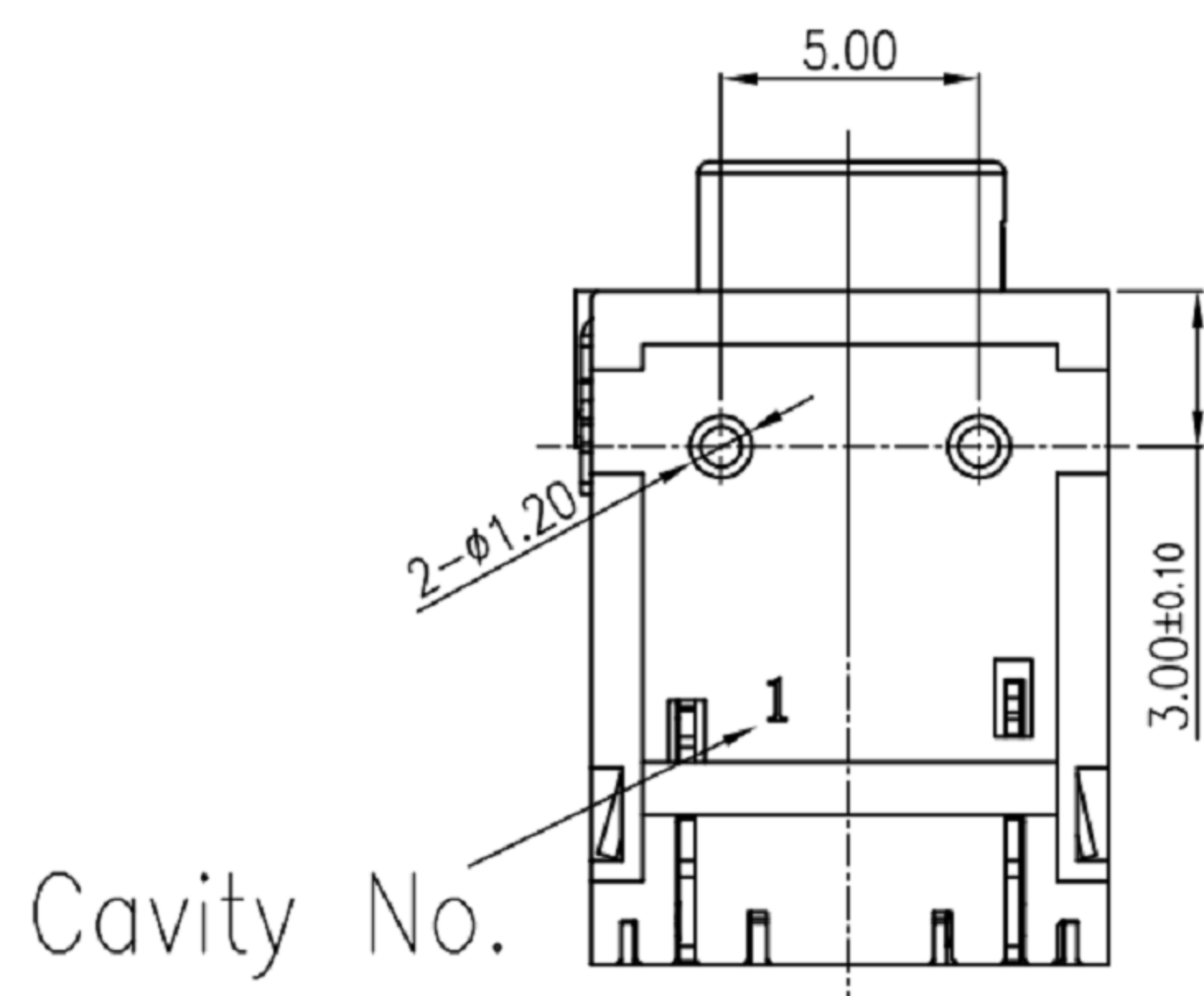


Section A-A



Matching Plug

Specification:
 1. Rating : DC 30V 0.5A;
 2. Contact resistance: ≤30mΩ;
 After test: ≤50mΩ
 3. Insulation resistance: ≥100MΩ (500VDC);
 After test: ≥50MΩ
 4. Withstand voltage: 500VAC ;
 5. Insertion and extraction force: 3N~30N;
 6. life test: 5000cycles min;
 7. Operation temperature range: -20°C~70°C;
 8. Preservation temperature range: -40°C~85°C;



NO.	DESCRIPTION	QTY	MATERIAL	Remark
⑧	Ring spring-C	7	Phosphor bronze	Sn plating
⑦	Shunt terminal	6	Brass	Sn plating
⑥	Shunt terminal	5	Brass	Sn plating
⑤	Shunt terminal	4	Brass	Sn plating
④	Ring spring-B	3	Phosphor bronze	Sn plating
③	Tip spring	2	Phosphor bronze	Sn plating
②	Earth terminal	1	Phosphor bronze	2u" Au plating
①	Housing	1	PA9T	

ITEM NO.	DESCRIPTION	DRAWN	DATE
5	新增PLUG標號	Jack	052819
4	更新圖面	Jack	052419
3	新增3d上方圖	Jack	101918
2	更新圖面	Jack	092818
1	新增尺寸	Jack	070717

东莞市高迪电子有限公司
 Dong Guan KDRR Electronic Switch Jack Co., Ltd.

TOLERANCE UNLESS OTHERWISE STATED:
 Up to 5 ±0.2
 Above 5 ~ 15 ±0.3
 Above 15 ~ 30 ±0.4
 Above 30 ~ 50 ±0.5
 Angle ±0.3°

3RD. ANGEL'S
 UNITS: MM

DRAWN BY: Ming Ming Zou	DATE 6/8/23	MAT'L	TITLE JACK
CHECKED BY: Ning Ning Su	DATE 6/8/23	FINISH	MODLE PHONE JACK
APPROVED BY: Jia Xiang	DATE 6/8/23	SCALE 1:1	DWG NO. GD-PJS-3244B
SHEET NO. 1 of 1		PART NO.	SIZE A4 VER R5